

8030 Straight Square Entrance Pull Handles



Advantages at a glance

- 316 Marine Grade Stainless Steel
- Designed with your project's needs in mind
- High durability with concealed fixings
- Standard finishes: SSS and PSS
- Powdercoat and custom finishes available on request



AS1428 Compliant

dormakaba's Straight Square Entrance Pull Handles crafted with precision and excellence in mind, these handles are designed to elevate your space with their superior quality and attention to detail.

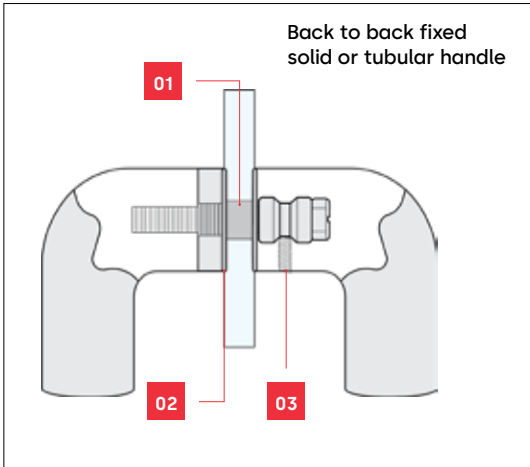
Made from premium 316 Marine Grade Stainless Steel, these handles are built to withstand the test of time, offering unmatched corrosion resistance for both indoor and outdoor use, even in high traffic areas. The straight square section design ensures effortless functionality, providing comfortable grip and ease of use.

Ideal for a variety of settings, from residential to commercial, these handles are versatile enough to be installed on glass, timber, and aluminium doors. Elevate your entrances with dormakaba's Straight Square Entrance Pull Handles and experience genuine quality that stands out in any space.

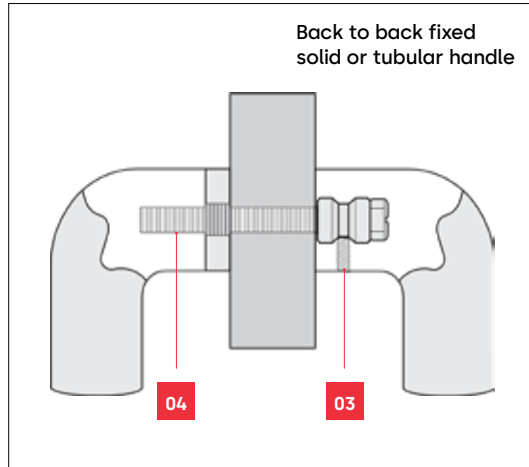
Refer to ordering details for a range of optional accessories to suit:

- Back to back extended fixing for timber doors
- Back to back fixing for glass doors
- Disc fixing for timber doors
- Disc fixing for glass doors

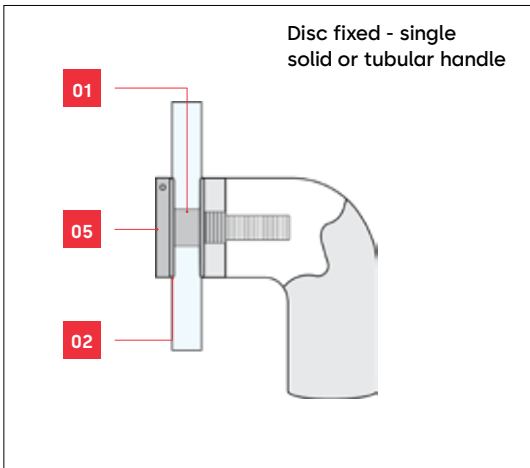
Fixing options



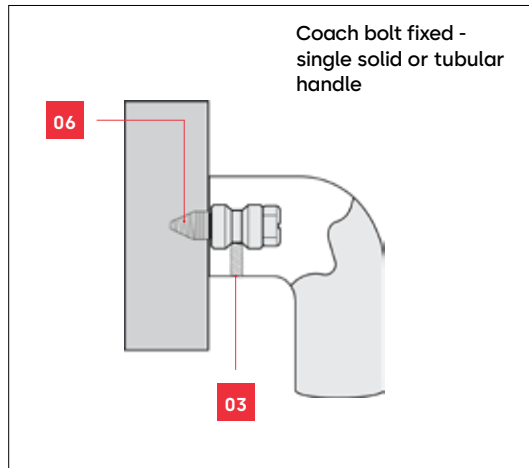
GD FIX - glass doors



TM FIX - timber or metal doors



D FIX - glass, metal or timber doors



C FIX - timber doors only

Note

Nylon spacers and washers are included with handle for glass door fixing option.

Legend

- 01 Spacer
- 02 Washer
- 03 Grub Screw
- 04 Bolt
- 05 Disc
- 06 Coach Bolt

TIMBER DOOR FIXING

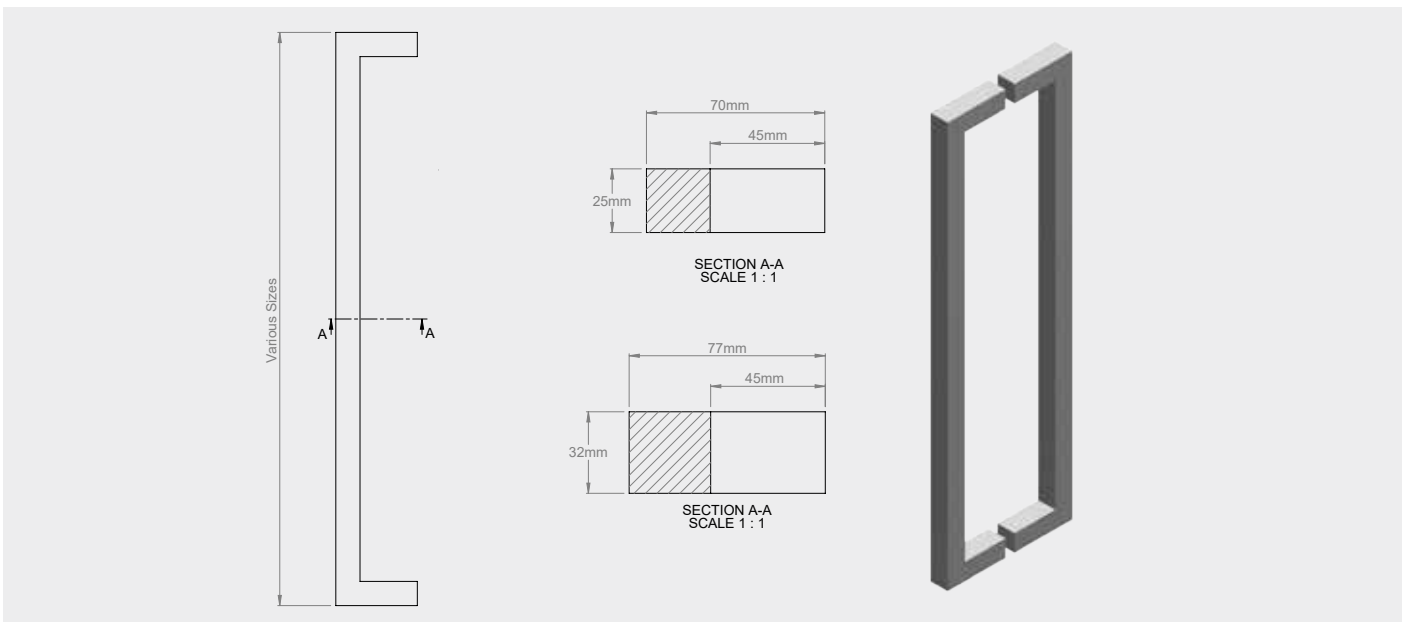
Material Size	Bolt Size
14mm Ø	5mm
16mm Ø	5mm
19mm Ø	8mm
25mm Ø	8mm
32mm Ø	8mm

METAL DOOR FIXING

Material Size	Bolt Size
14mm Ø	5mm
16mm Ø	5mm
19mm Ø	8mm
25mm Ø	8mm
32mm Ø	8mm

GLASS DOOR FIXING

Material Size	Bolt Size
14mm Ø	12mm Ø
16mm Ø	12mm Ø
19mm Ø	12mm Ø
25mm Ø	12mm Ø
32mm Ø	12mm Ø



8030 Straight Square dimensions

Ordering details

Item	Article Number	Description	Square Tuber	Length	Fixing Centers	Projection
BACK TO BACK FIXING						
B8030/400/25/SF	9400000016453	B8030/400/25 OA 425 CTC 400 SF	25mm	425mm	400mm	65mm
B8030/400/25/PSS	9458033534 102	B8030/400/25 OA 425 CTC 400 PSS	25mm	425mm	400mm	65mm
B8030/400/25/SSS	9458033534 101	B8030/400/25 OA 425 CTC 400 SSS	25mm	425mm	400mm	65mm
B8030/400/32/SF	9400000016454	B8030/400/32 OA 432 CTC 400 SF	32mm	432mm	400mm	70mm
B8030/400/32/PSS	9458033535 102	B8030/400/32 OA 432 CTC 400 PSS	32mm	432mm	400mm	70mm
B8030/400/32/SSS	9458033535 101	B8030/400/32 OA 432 CTC 400 SSS	32mm	432mm	400mm	70mm
B8030/600/25/SF	9400000016455	B8030/600/25 OA 625 CTC 600 SF	25mm	625mm	600mm	65mm
B8030/600/25/PSS	9458034734 102	B8030/600/25 OA 625 CTC 600 PSS	25mm	625mm	600mm	65mm
B8030/600/25/SSS	9458034734 101	B8030/600/25 OA 625 CTC 600 SSS	25mm	625mm	600mm	65mm
B8030/600/32/SF	9400000016456	B8030/600/32 OA 632 CTC 600 PSS	32mm	632mm	600mm	70mm
B8030/600/32/PSS	9458034735 102	B8030/600/32 OA 632 CTC 600 PSS	32mm	632mm	600mm	70mm
B8030/600/32/SSS	9458034735 101	B8030/600/32 OA 632 CTC 600 SSS	32mm	632mm	600mm	70mm
B8030/800/25/SF	9400000016456	B8030/800/25 OA 825 CTC 800 SF	25mm	825mm	800mm	65mm
B8030/800/25/PSS	94580358 14 102	B8030/800/25 OA 825 CTC 800 PSS	25mm	825mm	800mm	65mm
B8030/800/25/SSS	94580358 14 101	B8030/800/25 OA 825 CTC 800 SSS	25mm	825mm	800mm	65mm
B8030/800/32/SF	9400000016457	B8030/800/25 OA 825 CTC 800 SF	32mm	832mm	800mm	70mm
B8030/800/32/PSS	94580358 15 102	B8030/800/32 OA 825 CTC 800 PSS	25mm	825mm	800mm	70mm
B8030/800/32/SSS	94580358 15 101	B8030/800/32 OA 825 CTC 800 SSS	25mm	825mm	800mm	70mm
ACCESSORIES - EXTENDED FIXINGS - sold as a pair						
TM/M8/50	9459508058200	M8/50 FERULE HEAD BOLT TM FIX	Note: When ordering extended fixings please use the below formula. Door thickness + 20mm for the Ferule + 10mm in to the other handle = round up to the nearest size offered.			
TM/M8/75	9459758078200	M8/75 FERULE HEAD BOLT TM FIX				
TM/M8/90	9400000012887	M8/90 BOLT & 16MM FERULE TM FIX				
TM/M8/100	9400000012888	M8/100 BOLT & 16MM FERULE TM FIX				
TM/M8/110	9459118118200	M8/110 BOLT & 16MM FERULE TM FIX				
TM/M8/120	9459128128200	M8/120 BOLT & 16MM FERULE TM FIX				
TM/M8/130	9459138138200	M8/130 BOLT & 16MM FERULE TM FIX				
TM/M8/150	9459158158200	M8/150 BOLT & 16MM FERULE TM FIX				
ACCESSORIES - GLASS FIXINGS - sold as a pair						
GF25/M8/50 SQU	9459502588302	25 DIA SQU GLASS FIXING PAIRS				
GF32/M8/50 SQU	9459503288302	32 DIA SQU GLASS FIXING PAIRS				
ACCESSORIES - GLASS FIXINGS - sold as a pair						
GDF25/M8/50 PSS	9459502588 102	25MM GLASS DISK FIX PSS PAIR M8X50MM				
GDF25/M8/50 SSS	9459502588 101	25MM GLASS DISK FIX SSS PAIR M8X50MM				
GDF32/M8/50 PSS	9459503288 102	32MM GLASS DISK FIX PSS PAIR M8X50MM				
GDF32/M8/50 SSS	9459503288 101	32MM GLASS DISK FIX SSS PAIR M8X50MM				

Ordering details

ACCESSORIES - DISC FIX & CONCEALED FIXING KITS

9400000016706	DISK FIX KIT 25MM SF
9400000016707	DISK FIX KIT 32MM SF
9400000016703	DISK FIX KIT 25MM
9400000016704	DISK FIX KIT 32MM
9400000016705	CONCEALED FIXING KIT

Any questions? We would be happy to advise you.